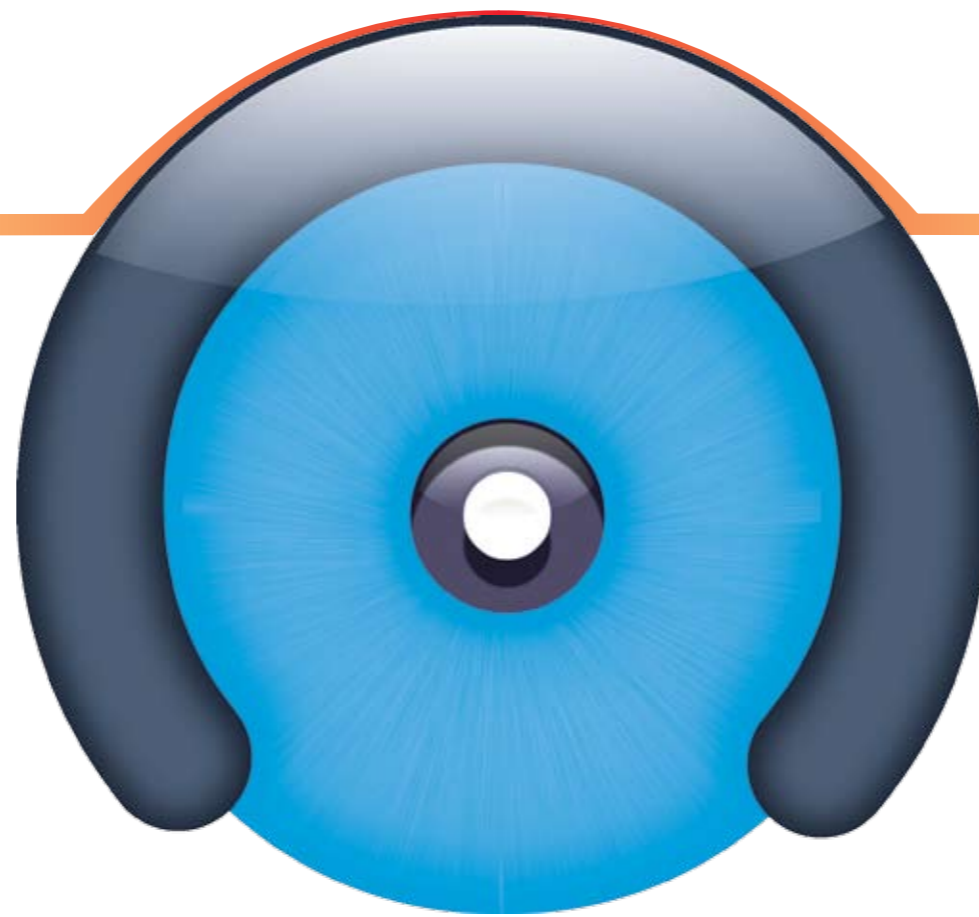


the chameleon

the first adaptive, ambient and interactive webcam





market group and sized

The instant messaging has 151 million users, with 90.6 million using msn messenger. The user profile is very diverse with the most heavy users being teenagers between 14 - 18. Who on average spend 6 hours a week on msn messenger.

market competitors

The chameleon is a unique and new product because of its unique interactivity, the current webcam market sales are flattening out. With the chameleons high fps camera, interlaced with its unique interactivity which profits on the boom in the always on broadband connections. The chameleon will have good footing in the market place.

chameleon

market size and branding for Dezac



website

Integral to the chameleons success is the design and branding of the user interface. The product will only be as easy to use as the software that interacts with it.

packaging

This is an initial idea for the presentation of the chameleons packaging. The simple design just sells the product whilst trying to push a young product branding, selling a lifestyle and not just a webcam.



Outer Skin

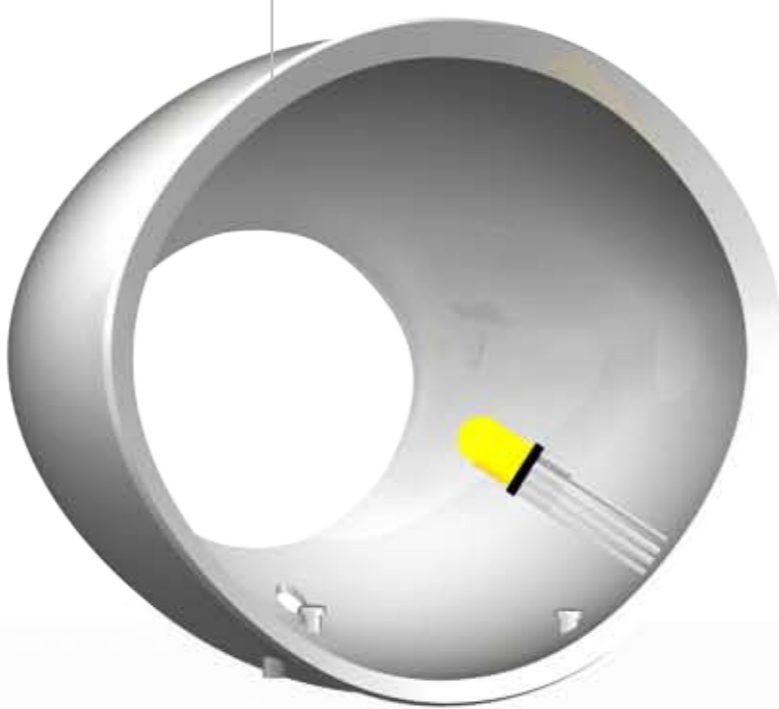
The outer skin of the chameleon will be made from a injection molded ABS to give strength, a slight gloss.

Inner Skin

The inner skin will be a injection molded SAN, this will give it a slight opacity, which with a spark eroded finish which will help radiate more diffused light.

The Camera

The chameleon features a 30 fps web camera sensor. To get high quality pictures which can be utilized by the growing broadband connections.



inside a chameleon

an exploded view of the basic components

Base

The Base of the chameleon is made from ABS, and is both capable of sitting on the desk and both CRT and TFT monitors.



chameleons internals

These are the key components to getting the chameleon work. It consists of a PCB, which controls the webcam and the two RGB Leds, which are both capable of producing up to 16 million colour combinations.

i-socket

The is the front of the web camera, which is ABS molding. It will snap fit into the internal components and also secure the PCB. In future variations it could also help house a microphone.

chameleon

a day in the life of two chameleon users

meeting the users



Teal

Gender: Male

Age : 15

Hobbies : Skateboarding, Surfing the internet and keeping in touch with his mates.

Crimson

Gender: Female

Age : 16

Hobbies : Shopping and keeping in touch with friends on myspace.

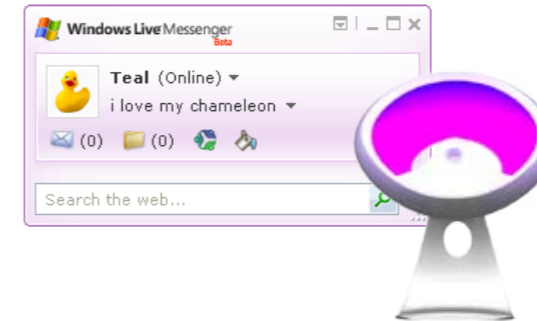
9am : Weather report

Teal fires up his computer to check a couple of forums to see where the best skating locations are. Whilst doing this the chameleon shows him the weather reports of what the days skating is going to be like.



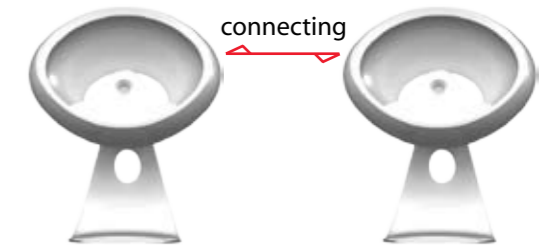
9:30am : Customise

Teal loads up Windows messenger live, to check his e-mail and talk to his mates. He sets msn messenger to same colour as his new jacket, the chameleon adapts.



Later on that day.

Crimson is checking up on myspace and her wider social network. She sees that Teal is online and initiates a chat.



Initiate IM chat.

Teal now initiates an Instant messaging conversation with crimson. He takes use of the smiles and love hearts to get her more interested.



Initiate a video conversation.

After crimson has been talking to Teal for a while she decides to initiate video chat. The chameleon had unique software that is able to read the body language of the user and reflect it in mood lighting of each others chameleons.



End of the day.

Teal is now at the end of his day. The chameleon has been in the background and helps to simply the deluge of data.



Ambient Device

The ambient device, is a simplification of data, instead of showing the deluge of data that is in our current life.

How this works?



RSS (really simple synchronization) and XML (extended mark up language), are both new standards for web feeds from the newest and most interactive web 2.0 services. These feeds will be feed into the Dezac web service, which will have a custom control to feed "the chameleon".

From the Dezac web service you will be able to control the output for the ambient device.

An example with Local weather reports:-



Its going to be sunny

Its going to rain

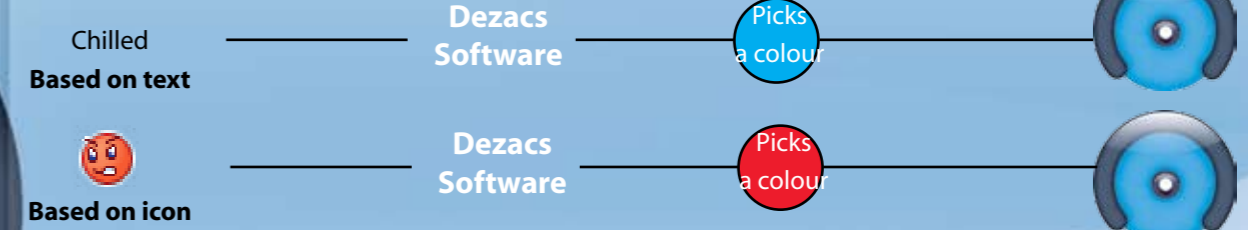
Msn Messenger

MSN messenger has a API that will allow a easy integration with the chameleon. There would need to be further development into the application, as Microsoft don't operate on open software code. Utilizing Msn messenger I in two unique manors

Instant Messaging

Instant messaging is where you "chat" with short messages. Integrated into this are a selection of "smilies". The software that comes with the chameleon will read the conversation and adapt to what is happening. Once it picks up on a key word or a smiley it will then send a message to the chameleon which will create a smooth transition of colour.

How it works?



Video Chat

Video chat, a relatively new concept that is blooming with broadband web connections and smaller cameras with faster refresh rates, the camera will continue to react in the same way as with instant messaging, and it will be possible to control the colour of there webcam.

With the most exciting feature being the chameleons facial recognition system, which works on facial triggers with a corresponding web camera adapting to your emotions.

How it works?



the chameleon

the chameleon System flow

Windows Customization

Msn Messenger

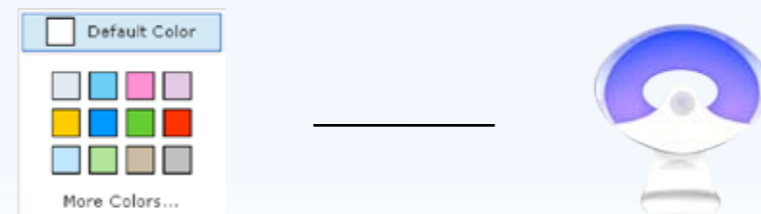
Ambient Device

Open Source

Customization

A integral part of MSN messenger is the ability to customise and change it to your personal settings. In the latest version there is a selection of colours that you can pick and the chameleon will merge into the colour of the skin. Or if using a dynamic skin, will change into a array of colours.

The chameleon will be able to be controlled by the user with pre set lighting moods, when not receiving any interactive data.



Open Source

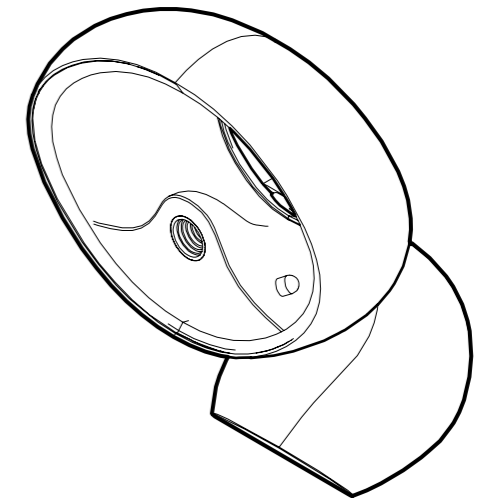
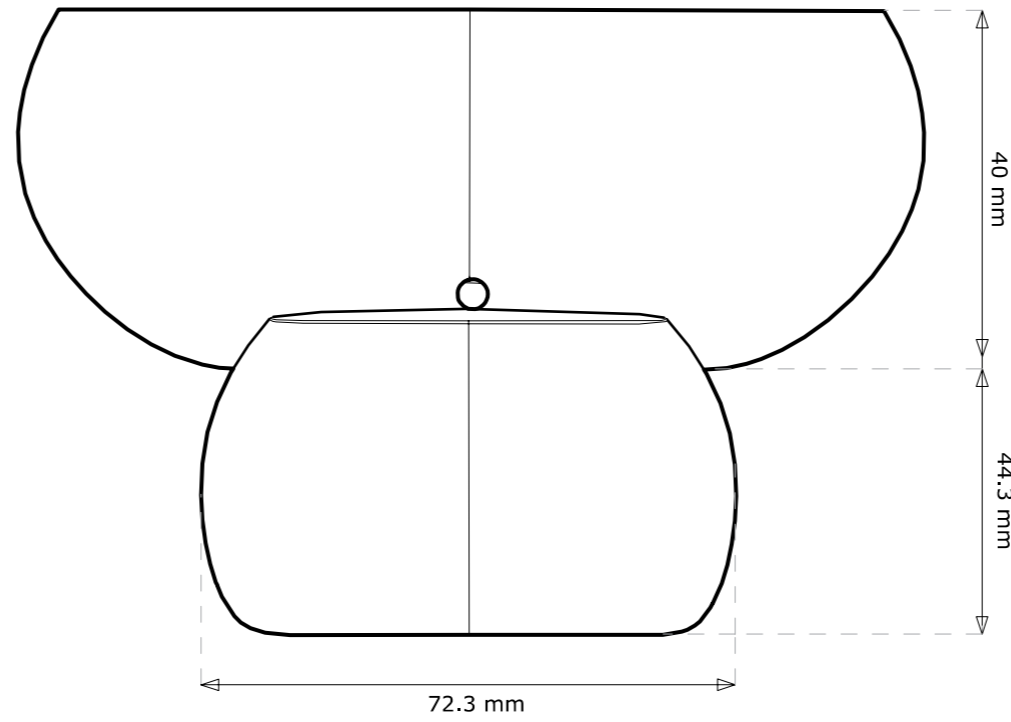
The chameleon will operate on an open source platform, which will mean that anyone can program and use the Dezac software to get the chameleon to display what ever they want to, and get it triggered by custom sensors and events. Making the chameleon future proof and expandable.

chameleon

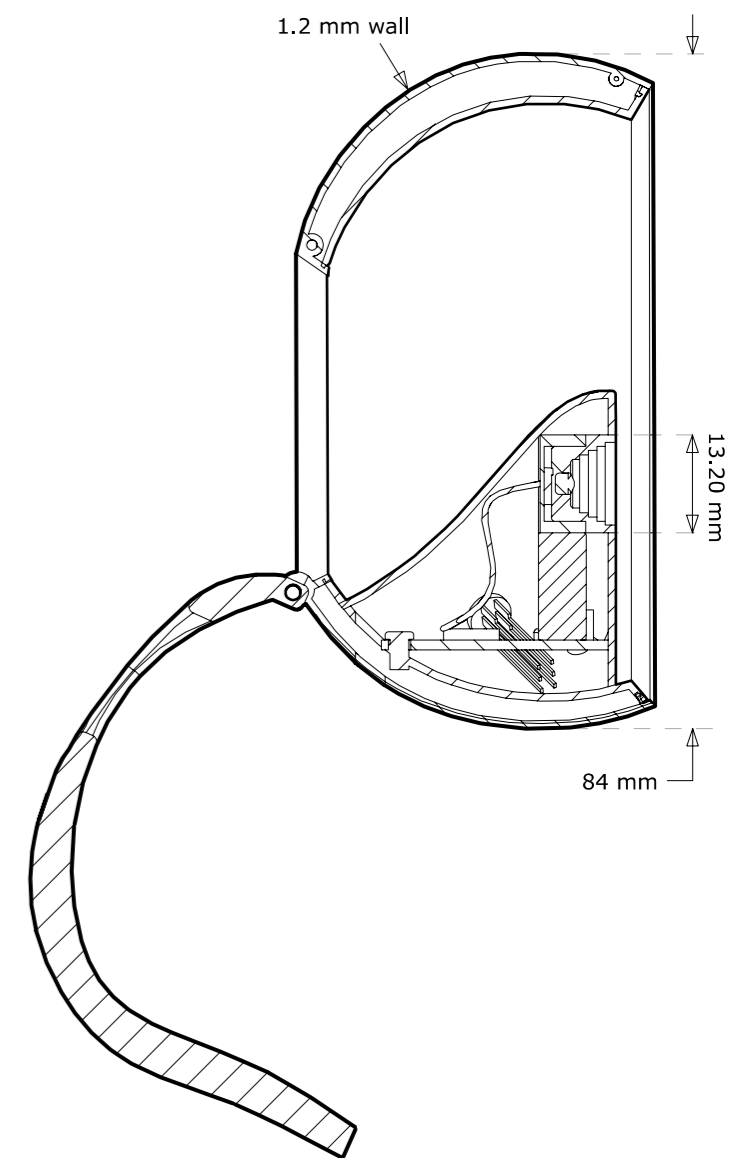
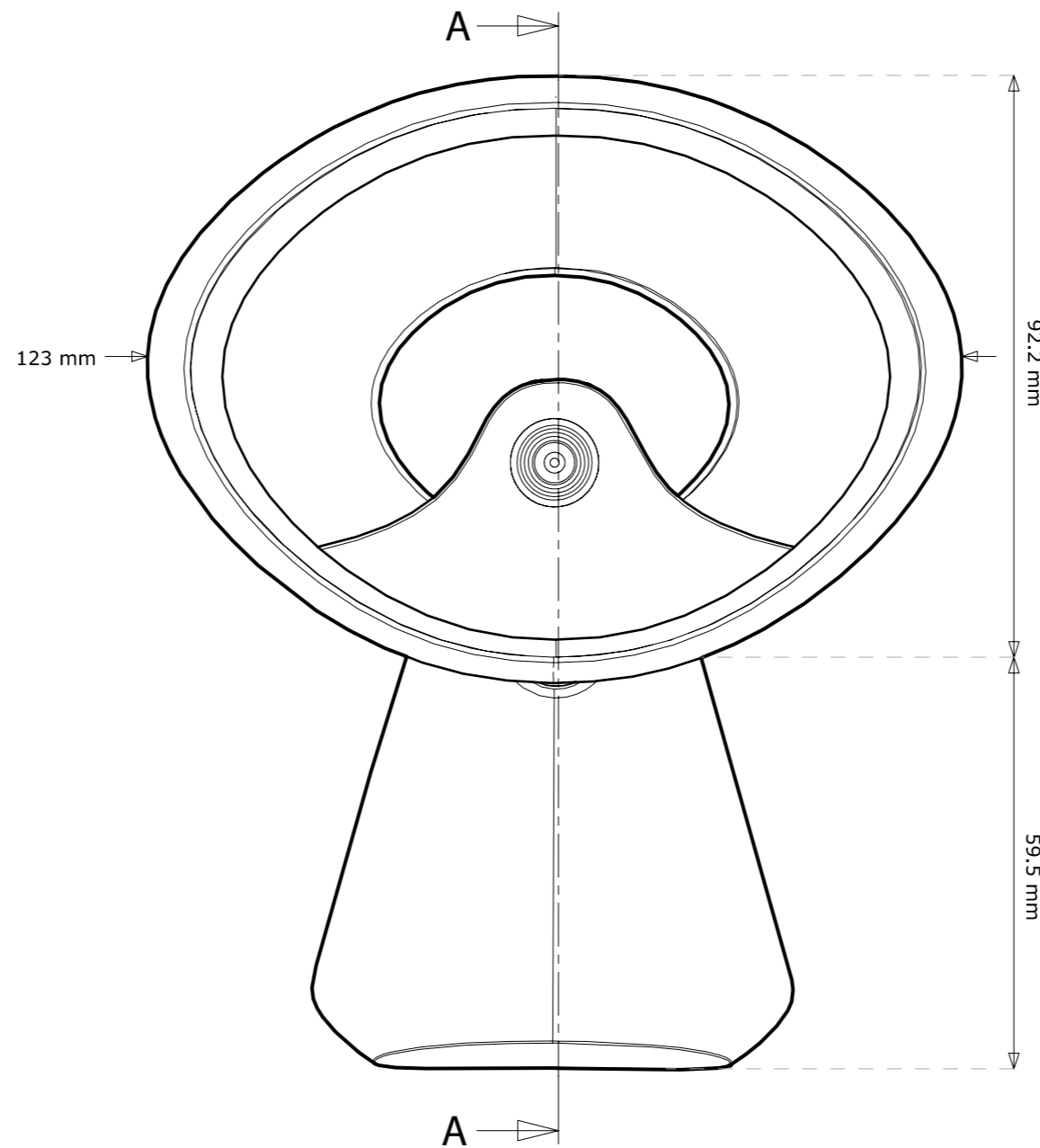
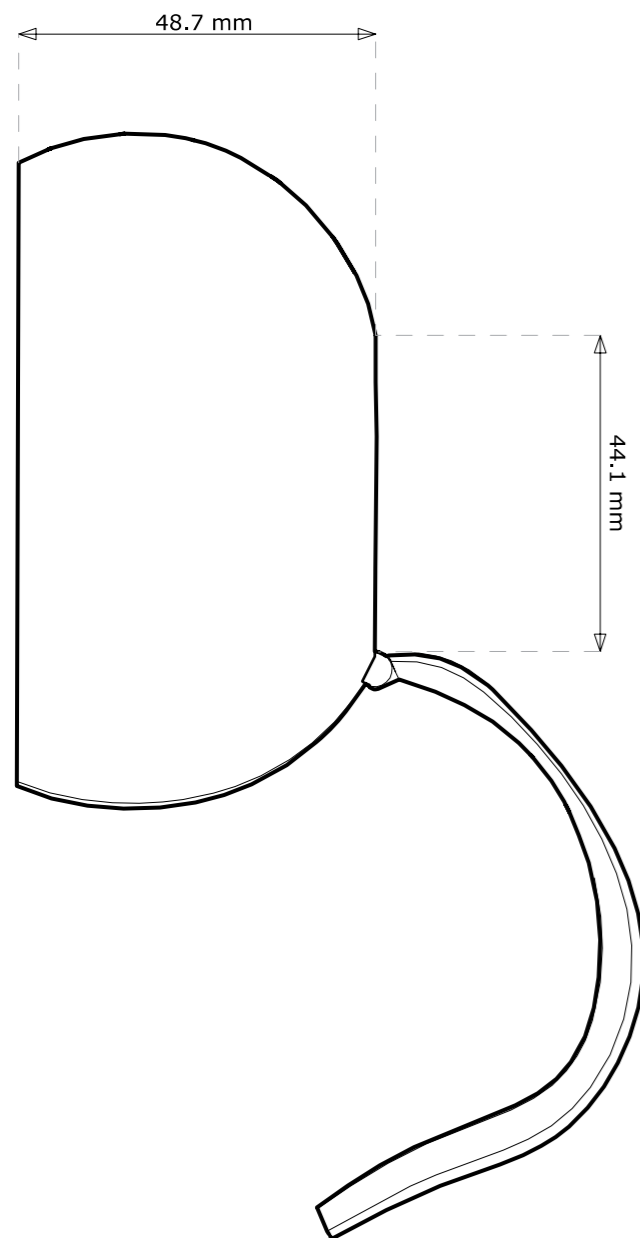
general arranged drawings

1:1 scale

Designed by Ben Arent, 2006.



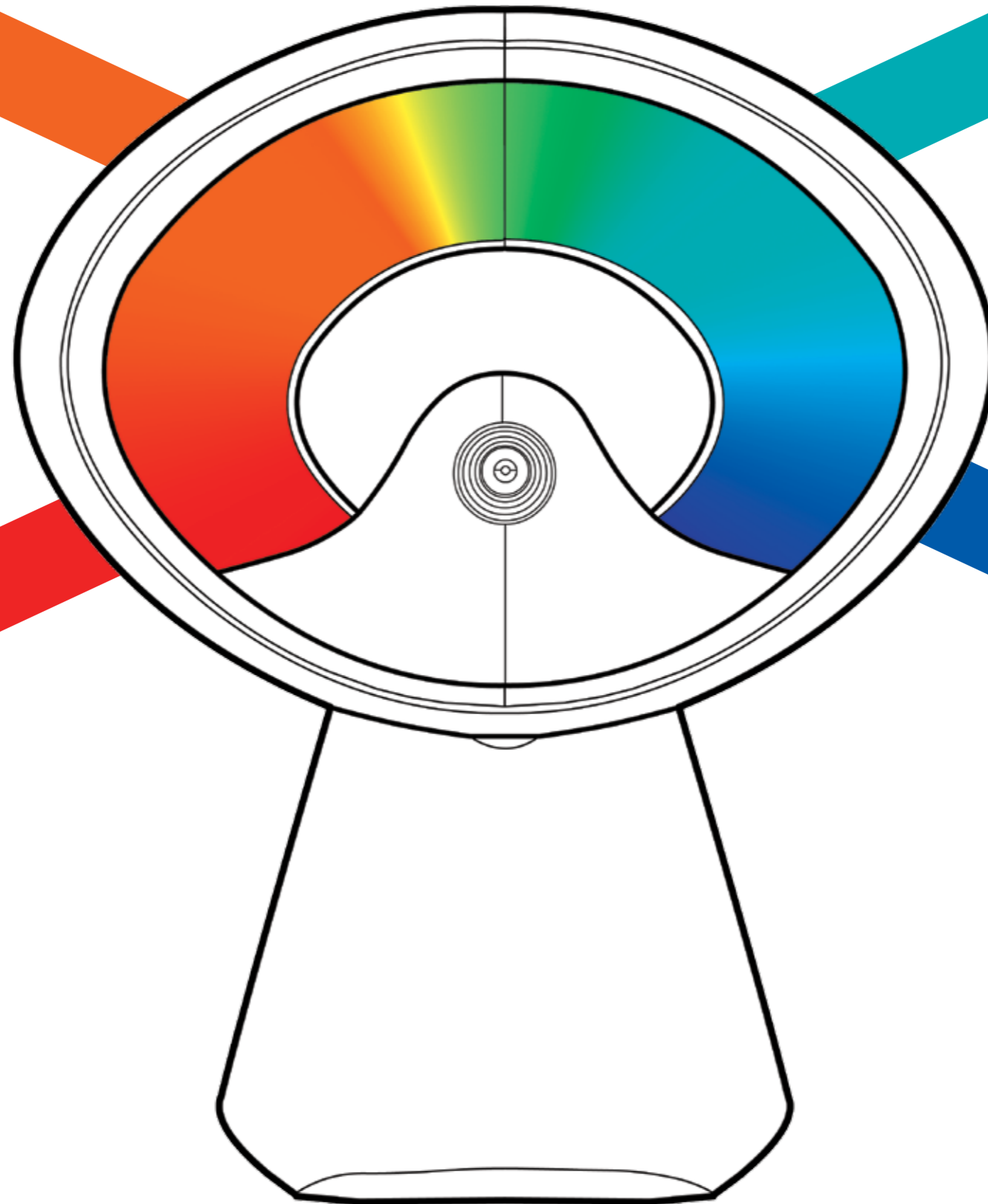
1 : 2 Scale Isometric



Section A:A

chameleon

the many colours of the chameleon



Passive Mode

Passive mode
What is Passive Mode?

Remote Mode

Remote Mode
What is User Mode?

Ambient Device

Ambient mode
What is ambient Mode?

User Mode

User Mode
What is User Mode?